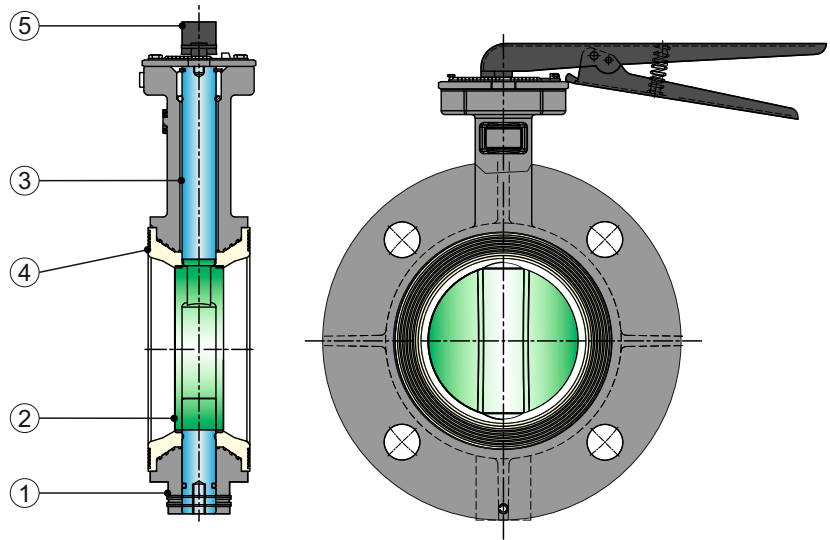




**DESIGN FEATURES:**

- Manufacturing Std. : API 609 / AWWA C 504 / IS 13095
- Testing & Inspection Std. : API 598 / IS 13095
- End Flange Dimension : ASME B16.5
- Operation : Manual, Gear & Actuator
- Size Range : 40mm to 600mm
- Class : PN10, PN16, #150, #300

**TYPE LDBC - 400**



**MATERIALS OF CONSTRUCTION**

Part No.	Description	Material	Qty.
1	Body	Cast Steel, Cast Iron, SS202, SS304, SS316	01
2	Disc	Cast Steel, Cast Iron, SS304, SS316	01
3	Stem	AISI 410 (13% Cr.), SS304, SS316	01
4	Seat	Nitrile, PTFE, Viton, NBR, Metal to Metal	01
5	Lever	MS Fabricated	01

**NOTE:**

Due to continuous development higher class and sizes will be available upon request