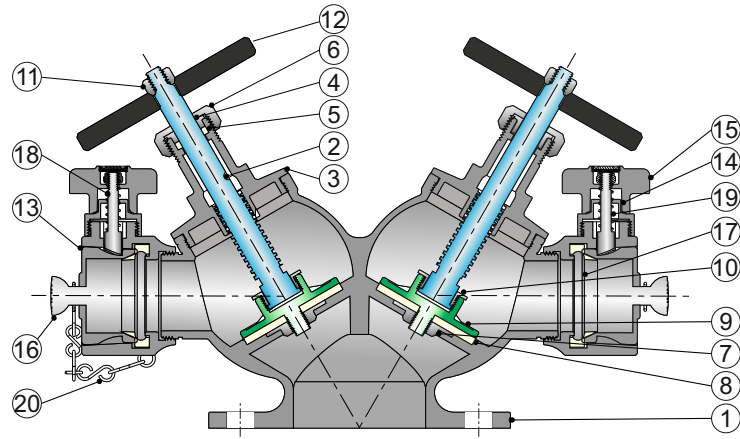




TYPE LDLC - 525

DESIGN FEATURES:

| | |
|---------------------------|--------------------------|
| Manufacturing Std. | : API 5290 |
| Testing & Inspection Std. | : API 5290 |
| End Flange Dimension | : ASME B16.5 |
| Operation | : Manual |
| Pressure Class | : #150 & #300 |
| Size Range | : As per the requirement |



MATERIALS OF CONSTRUCTION

| Part No. | Description | Material | SHLV Qty. | DHLV Qty. |
|----------|----------------|----------------|-----------|-----------|
| 1 | Body | IS 3444 Gr - 1 | 01 | 01 |
| 2 | Stem | SS 304 | 01 | 02 |
| 3 | Bonnet | IS 3444 Gr - 1 | 01 | 02 |
| 4 | Gland Bush | IS 3444 Gr - 1 | 01 | 02 |
| 5 | Gland Packing | Asbestose Rope | 01 | 02 |
| 6 | Gland Nut | IS 3444 Gr - 1 | 01 | 02 |
| 7 | Stem Check Nut | IS 3444 Gr - 1 | 01 | 02 |
| 8 | Seat Washer | Rubber IS 937 | 01 | 02 |
| 9 | Disc | IS 3444 Gr - 1 | 01 | 02 |
| 10 | Seat Nut | IS 3444 Gr - 1 | 01 | 02 |
| 11 | Nut | MS | 01 | 02 |
| 12 | Hand Wheel | CI IS 210 | 01 | 02 |
| 13 | Female Outlet | IS 3444 Gr - 1 | 01 | 02 |
| 14 | Lower Lug | IS 3444 Gr - 1 | 01 | 02 |
| 15 | Upper Lug | IS 3444 Gr - 1 | 01 | 02 |
| 16 | Blank Cap | SS / PVC | 01 | 02 |
| 17 | Rubber Ring | IS 937 | 01 | 02 |
| 18 | Cam Tooth | IS 3444 Gr - 1 | 01 | 02 |
| 19 | Spring | SS IS 6528 | 01 | 02 |
| 20 | Chain | Galvanized | 01 | 02 |

NOTE:

Due to continuous development higher class and sizes will be available upon request