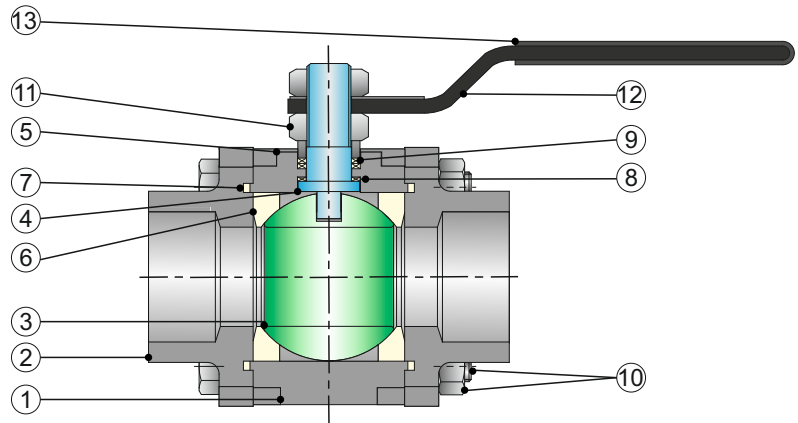




**DESIGN FEATURES:**

- Manufacturing Std. : BS 5159 / BS 5351
- Testing & Inspection Std. : BS 6755
- End Flange Dimension : Screwed End to BSP  
Socket Weld End to ANSI B16.11
- Class : #800, #1500 & #2500
- Size Range : 15mm to 50mm

**TYPE LBLF - 150**



**MATERIALS OF CONSTRUCTION**

Part No.	Description	Material	Qty.
1	Body	ASTM A105	01
2	Adapter Body	ASTM A105	01
3	Ball	AISI 304 / ASTM A 351 Gr. CF8	01
4	Stem	AISI 304	02
5	Gland	AISI 304	01
6	Seat Ring	GFT	01
7	Body Packing	GFT	01
8	Stem Packing	GFT	01
9	Gland Packing	GFT	01
10	Bolt & Nut	ASTM A193 Gr. B7 & ASTM A194 Gr. 2H	Req.
11	Gland Nut & Stem Nut	AISI 304	04
12	Lever	Carbon Steel	02 Set
13	Sleeve	PVC	01

**NOTE:**

Due to continuous development higher class and sizes will be available upon request