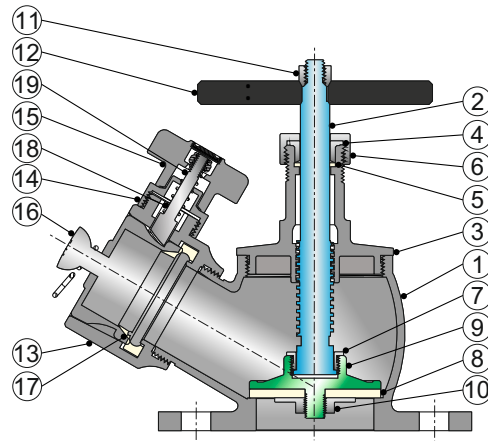




TYPE LSLC - 500

DESIGN FEATURES:

- Manufacturing Std. : API 5290
- Testing & Inspection Std. : API 5290
- End Flange Dimension : ASME B16.5
- Operation : Manual
- Pressure Class : #150 & #300
- Size Range : As per the requirement



MATERIALS OF CONSTRUCTION

Part No.	Description	Material	SHLV Qty.	DHLV Qty.
1	Body	IS 3444 Gr - 1	01	01
2	Stem	SS 304	01	02
3	Bonnet	IS 3444 Gr - 1	01	02
4	Gland Bush	IS 3444 Gr - 1	01	02
5	Gland Packing	Asbestose Rope	01	02
6	Gland Nut	IS 3444 Gr - 1	01	02
7	Stem Check Nut	IS 3444 Gr - 1	01	02
8	Seat Washer	Rubber IS 937	01	02
9	Disc	IS 3444 Gr - 1	01	02
10	Seat Nut	IS 3444 Gr - 1	01	02
11	Nut	MS	01	02
12	Hand Wheel	CI IS 210	01	02
13	Female Outlet	IS 3444 Gr - 1	01	02
14	Lower Lug	IS 3444 Gr - 1	01	02
15	Upper Lug	IS 3444 Gr - 1	01	02
16	Blank Cap	SS / PVC	01	02
17	Rubber Ring	IS 937	01	02
18	Cam Tooth	IS 3444 Gr - 1	01	02
19	Spring	SS IS 6528	01	02
20	Chain	Galvanized	01	02

NOTE:

Due to continuous development higher class and sizes will be available upon request