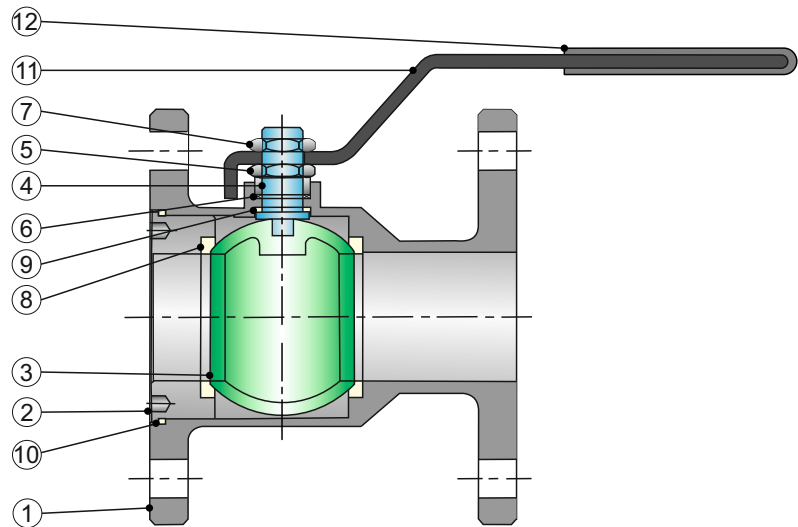



DESIGN FEATURES:

Manufacturing Std.	: BS 5351
Testing & Inspection Std.	: API 598 / BS 6755
Face to Face & End to End	: ASME B16.10 / API 6D
End Flange Dimension	: ASME B16.5
Pressure Rating	: ASME B16.34
Operation	: Manual & Actuator
Class	: #150, #300, #600, #900, & #1500
Size Range	: 40mm to 500mm

TYPE LBLC - 100

MATERIALS OF CONSTRUCTION

Part No.	Description	Material	Qty.
1	Body	ASTM A216 Gr. WCB, A351 CF8/CF8M	01
2	Body Adapter	ASTM A216 Gr. WCB, A351 CF8/CF8M	01
3	Ball	AISI 304 / 316 / 304L / 316L	01
4	Stem	AISI 304 / 316 / 304L / 316L	01
5	Gland Nut	MS, SS202, SS304, SS316	01
6	Gland Bush	MS, SS202, SS304, SS316	01
7	Lock Nut	MS, SS202, SS304, SS316	01
8	Seat Ring	PTFE / Graphite / GFT	02
9	Stem Packing	PTFE / Graphite / GFT	01
10	Body Packing	PTFE / Graphite / GFT	01
11	Lever	MS, SS202, SS304, SS316	01
12	Sleeve	PVC	01

NOTE:

Due to continuous development higher class and sizes will be available upon request