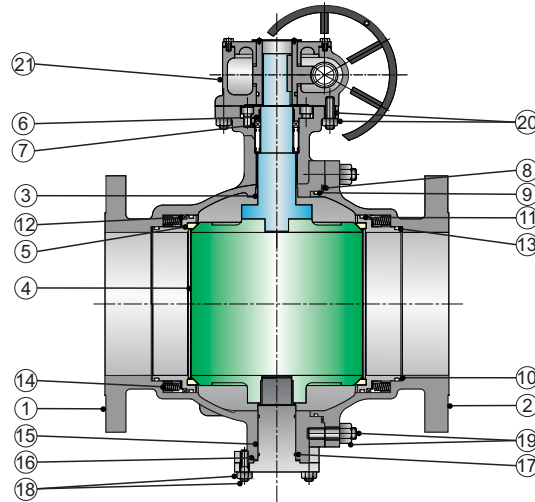




TYPE LBLC - 700

DESIGN FEATURES:

Manufacturing Std.	: ISO 14313 / API 6D
Testing & Inspection Std.	: API 598
Face to Face & End to End	: ASME B16.10 / API 6D
End Flange Dimension	: ASME B16.5
Pressure Rating	: ASME B16.34
Operation	: Manual & Actuator
Class	: #150, #300, #600, #900, & #1500
Size Range	: 40mm to 500mm



MATERIALS OF CONSTRUCTION

Part No.	Description	Material	Qty.
1	Body	ASTM A216 Gr. WCB, A351 CF8/CF8M	01
2	Body Adapter	ASTM A216 Gr. WCB, A351 CF8/CF8M	01
3	Stem	AISI 304 / 316 / 304L / 316L, SS202	01
4	Ball	AISI 304 / 316 / 304L / 316L, SS202	01
5	Seat Ring	PTFE / Graphite / GFT	02
6	Stem Packing	PTFE / Graphite / GFT	01
7	Stem Washer	AISI 304 / 316 / 304L / 316L, SS202	01
8	Body Packing	PTFE / Graphite / GFT	01
9	Body O-ring	NBR / Viton	01
10	Disc Retainer	AISI 304/ 316 / 304L / 316L, SS202	02
11	Retainer O-ring	NBR / Viton	02
12	Retainer Packing	PTFE / Graphite / GFT	02
13	Retainer Back O-ring	NBR / Viton	02
14	Spring	AISI 304 / 316	Req.
15	Bottom Stem	AISI 304 / 316 / 304L / 316L, SS202	01
16	Bottom Stem Packing	PTFE / Graphite / GFT	01
17	Bottom Stem O-ring	NBR / Viton	01
18	Bottom Stem Stud & Nut	ASTM A193 Gr. B7 & ASTM A194 Gr. 2H	Req.
19	Stud & Nut	ASTM A193 Gr. B7 & ASTM A194 Gr. 2H	Req.
20	Stud & Nut	ASTM A193 Gr. B7 & ASTM A194 Gr. 2H	Req.

NOTE:

Due to continuous development higher class and sizes will be available upon request