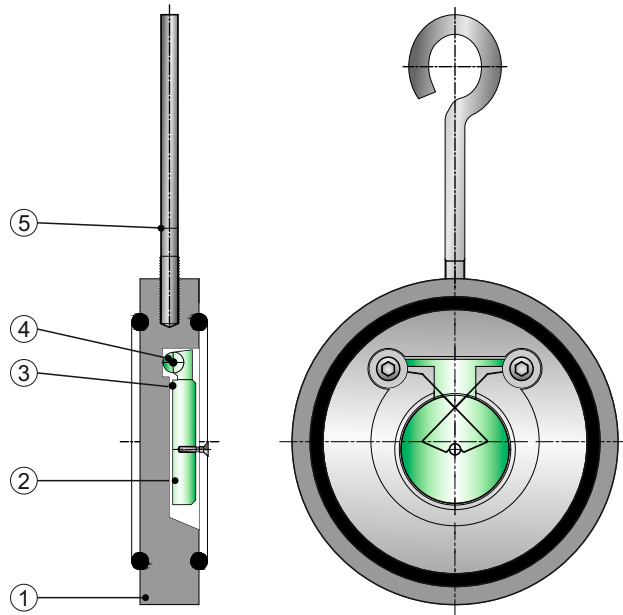




**TYPE LWCC - 300**

**DESIGN FEATURES:**

- Manufacturing Std. : API 6D / ASME B16.34
- Testing & Inspection Std. : API 598 / API 6D
- Class : PN10, PN16
- Size Range : 40mm to 1000mm



**MATERIALS OF CONSTRUCTION**

Part No.	Description	Material	Qty.
1	Body	CI, MS, SS202, SS304, SS316	01
2	Disc	CI, MS, SS202, SS304, SS316	01
3	O' Ring	Nitrile, EPDM, Viton, Silicon, PTFE	01
4	Hinge	AISI 304 / 316, SS202, MS	01
5	Hook Stud	AISI 304 / 316, SS202, MS	01

**NOTE:**

Due to continuous development higher class and sizes will be available upon request