



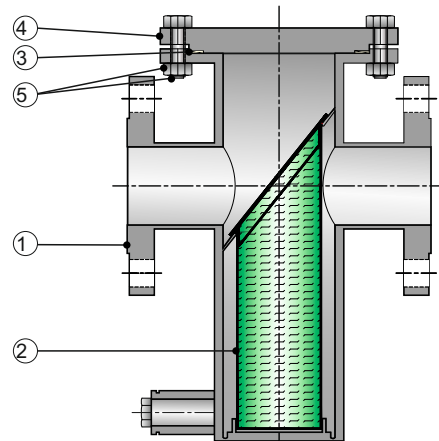
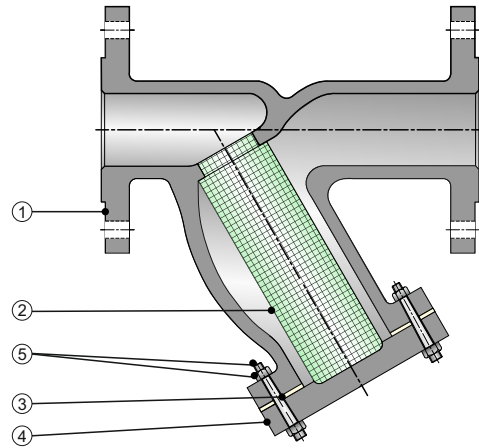
**TYPE LYSC - 425**



**TYPE LTSC - 450**

**DESIGN FEATURES:**

- Testing & Inspection Std. : API 598
- Face to Face & End to End : ASME B16.10
- End Flange Dimension : ASME B16.5 / BS 1560
- Pressure Rating : ASME B16.34
- Class : #150, #300, PN40
- Size Range : 40mm to 600mm



**MATERIALS OF CONSTRUCTION**

Part No.	Description	Material	Qty.
1	Body	ASTM A216 WCB, ASTM A351 Gr. CF8/CF8M, Cast Iron	01
2	Screen	MS 202, SS304, SS316	01
3	Seal Ring	PTFE	01
4	Cover	ASTM A216 WCB, ASTM A351 Gr. CF8/CF8M, Cast Iron	01
5	Cover Bolt & Nut	ASTM A193 Gr. B7 & ASTM A194 Gr. 2H	Req.

**NOTE:**

Due to continuous development higher class and sizes will be available upon request