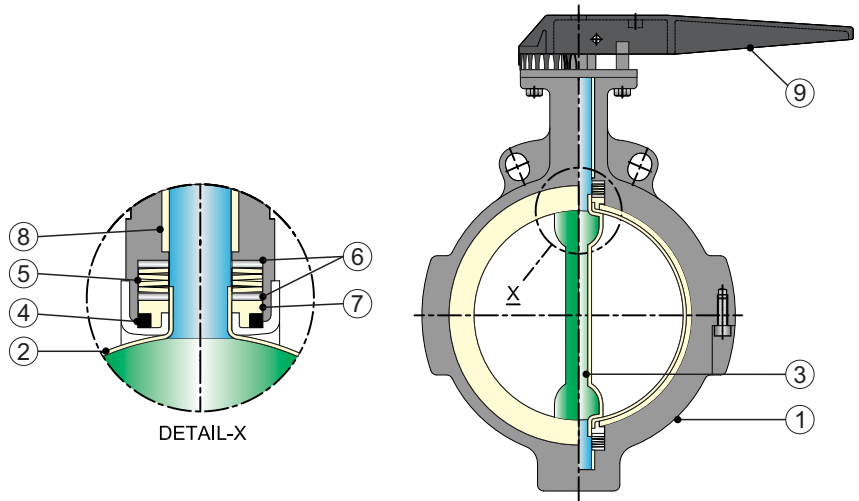



DESIGN FEATURES:

Manufacturing Std.	: BS EN 593:2004 (Formerly BS 5155)
Testing & Inspection Std.	: BS EN 12266 - 1 & 2 (2003)
Face to Face	: API 609, BS 5155, ISO 5752
Lining Thickness	: 3mm to 5mm
Operation	: Gear Box, Actuator & Manual
Pressure Class	: PN10, PN16, #150
Size Range	: 50mm to 600mm

TYPE LWBC - 350

MATERIALS OF CONSTRUCTION

Part No.	Description	Material	Qty.
1	Body	ASTM A216 Gr. WCB, Ductile Iron	01
2	Body Liner	PTFE, PVDF, FEP, PFA	02
3	Disc with Integral Shaft	CS / SS Shaft + FEP, PFA & PVDF	01
4	Elastomer Backup	Silicon	01
5	Wedge Ring	PTFE	01
6	Thrust Washer	SS304	02
7	Shaft Bush	PTFE	01
8	Guide Bush	PTFE	01
9	Lever	MS Fabricated, CS Standard	01

NOTE:

Due to continuous development higher class and sizes will be available upon request